

## E220P/160/IS/500 Roof fan



Usage: Insulated roof fan for ventilation. Inner pipe is made of perforated, galvanized sheet metal and has a lip seal. A VILPE® pass-through according to the roofing material is required separately.

Dimensions: Duct size Ø 160 mm, external Ø 225 mm, height above roof approx. 500 mm.

Contents: Roof fan, screws, installation, operating and maintenance instructions. The P-series roof fans and exhaust ventilation pipes can be led watertightly with a pass-through set through a roof. VILPE® pass-through sets can be installed on any roofs with the most common pitches (less than 50 degrees). The pass-through set is always selected according to the roofing material of the roof. All the roof fans and exhaust ventilation pipes in the P-series are compatible with all pass-through set types. Using P-series XL roof fans and XL exhaust ventilation pipes requires an XL pass-through.



Color	Brown
EAN Code	6417323734743
Product code	73474
Color Code RR	RR32
Delivery	Order
Gross weight	6.6500
Net Weight	5.1710

Duct size	160
Materials	expanded polystyrene, galvanized sheet steel , polypropene plastic (PP)
Package includes	cowl, fixing screws
Capacitor	2 µF
Current	0,39 A
Fan Type	AC
Power	88 W
Rotation Speed	2100 rpm
Voltage	230V/50Hz

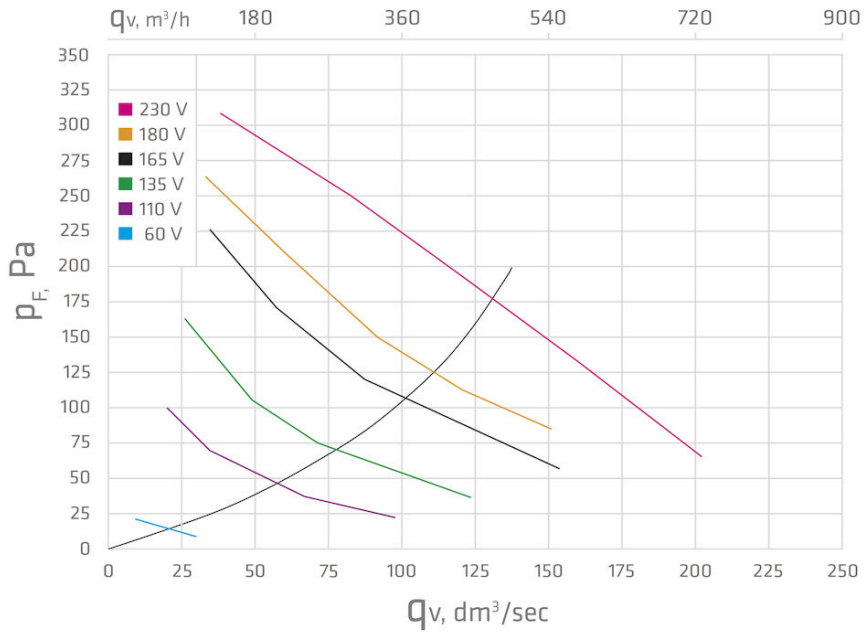
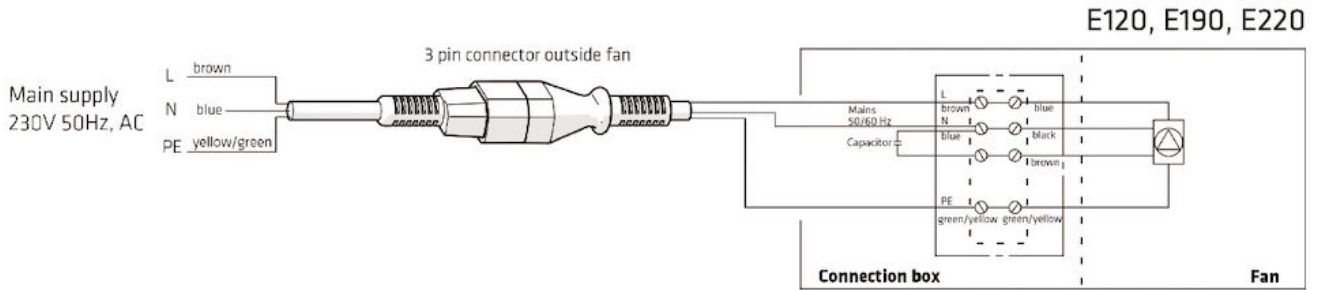
› [VILPE.COM](http://VILPE.COM)

SK Tuote Oy  
Kauppatie 9, FI-65610 Mustasaari  
Telephone +358 20 123 3200

Sales & Technical Support | FI +358 20 123 3233 | EN +358 20 123 3222 | RU +358 20 123 3290 | SE +46 70 511 2020 | PL +48 71 740 2623  
myynti@sktuote.fi | sales@sktuote.fi

Page: 1  
08.06.2017

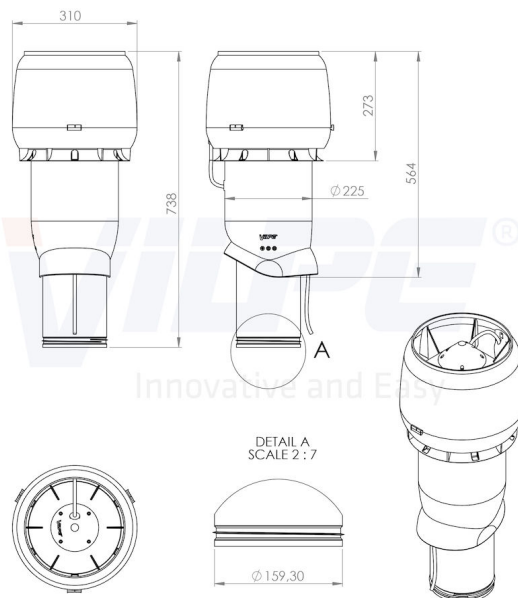
## E220P/160/IS/500 Roof fan



## E220P/160/IS/500 Roof fan



		E220					
		60 V	110 V	135 V	165 V	180 V	230 V
q V1	dm <sup>3</sup> /s	30.4	67.8	72.7	88.5	121.6	160.6
p tF	Pa	9	37	74	118	110	130
PE	W	10.0	30.0	43.0	60.7	69.0	99.0
ηtE	-	0.028	0.083	0.125	0.172	0.194	0.211
n	1/min	518	1077	1386	1727	1892	2266
L W63	dB	45.6	52.9	61.7	64.6	60.1	62.2
L W125	dB	50.0	66.0	71.5	76.3	72.2	74.3
L W250	dB	42.8	59.4	64.8	70.4	67.9	70.5
L W500	dB	26.2	48.5	52.7	58.1	61.1	65.0
L W1000	dB	35.0	49.6	53.5	57.8	60.7	64.6
L W2000	dB	21.0	40.4	47.0	52.5	56.2	60.8
L W4000	dB	*	30.4	39.1	45.9	49.0	56.6
L W8000	dB	*	*	24.8	34.0	38.0	44.3
L W	dB	52.0	67.2	72.8	77.7	74.3	76.8
L WA	dB (A)	39.6	56.0	61.2	66.4	66.1	69.7



Copyright © 2014 SK Tuote Oy. All rights reserved.

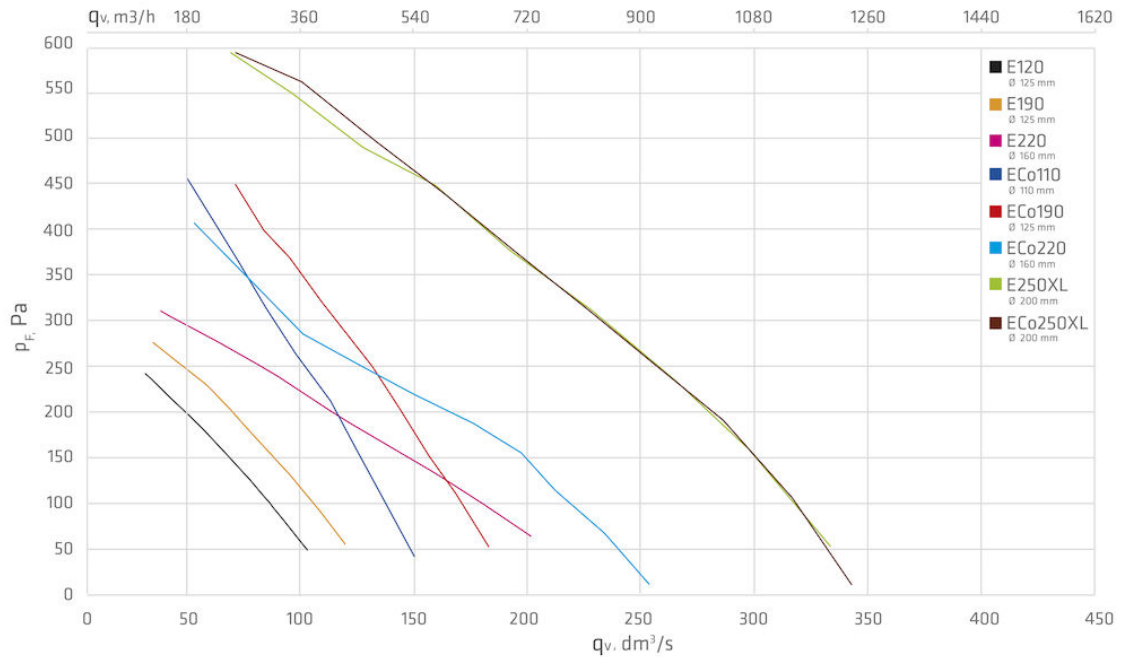
[VILPE.COM](http://VILPE.COM)

SK Tuote Oy  
Kauppatie 9, FI-65610 Mustasaari  
Telephone +358 20 123 3200

Sales & Technical Support | FI +358 20 123 3233 | EN +358 20 123 3222 | RU +358 20 123 3290 | SE +46 70 511 2020 | PL +48 71 740 2623  
myynti@sktuote.fi | sales@sktuote.fi

Page: 3  
08.06.2017

## E220P/160/IS/500 Roof fan



[VILPE.COM](http://VILPE.COM)

SK Tuote Oy  
Kauppatie 9, FI-65610 Mustasaari  
Telephone +358 20 123 3200

Sales & Technical Support | FI +358 20 123 3233 | EN +358 20 123 3222 | RU +358 20 123 3290 | SE +46 70 511 2020 | PL +48 71 740 2623  
myynti@sktuote.fi | sales@sktuote.fi

Page: 4  
08.06.2017